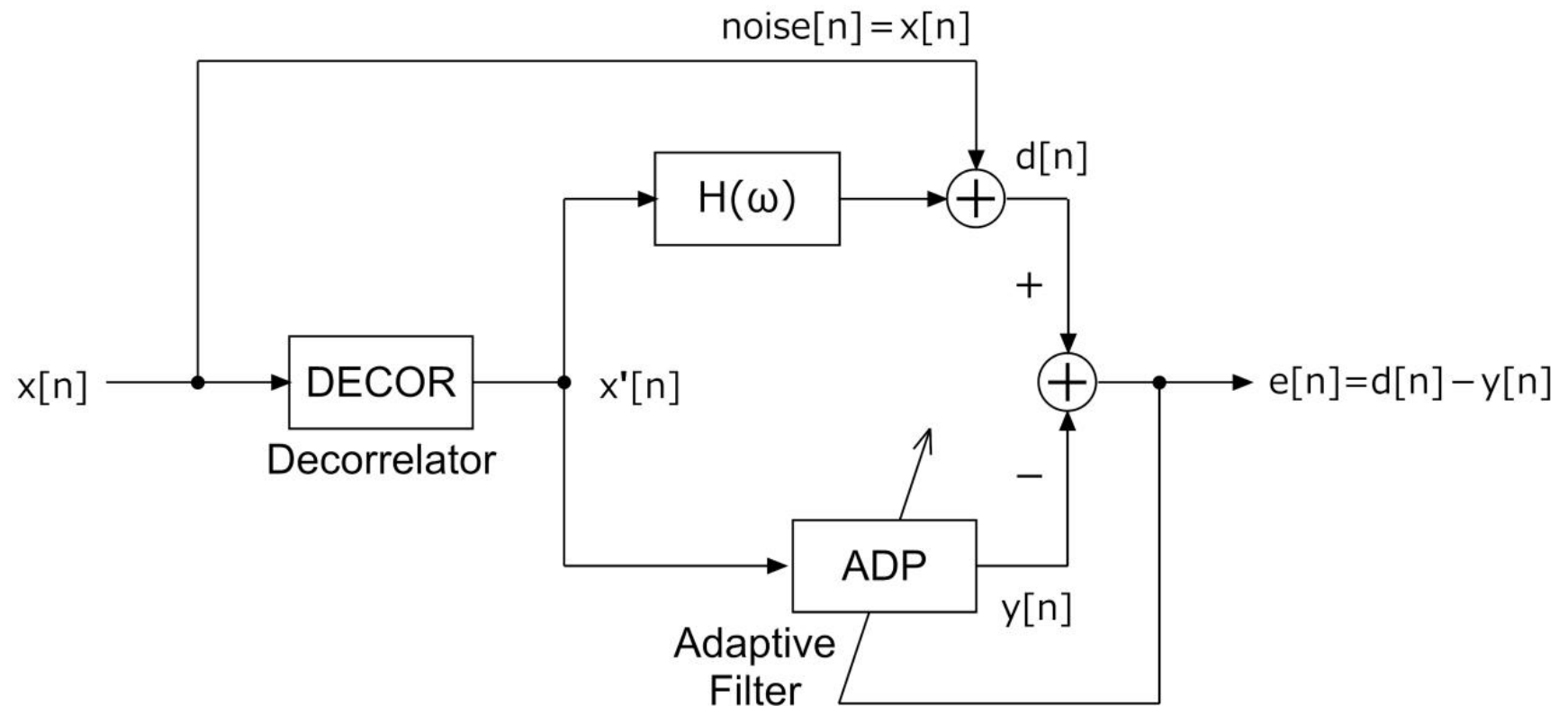


Open Loop Model of Adaptive Howling Cancellor

(Open Loop Model of Adaptive Acoustic Feedback Cancellor)



- * If the gain of $H(\omega)$ increase, noise level in $d[n]$ decrease relatively.
- * Theoretically, higer gain public address system with howling canceller become more stable. (Incredible!)