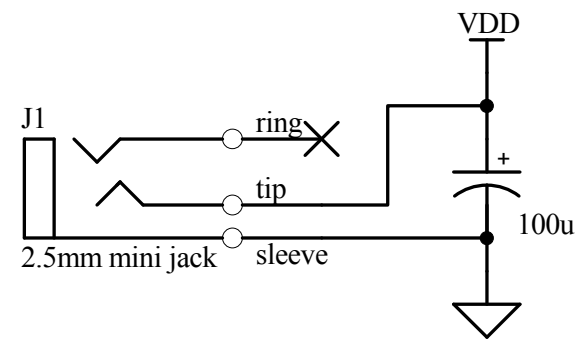
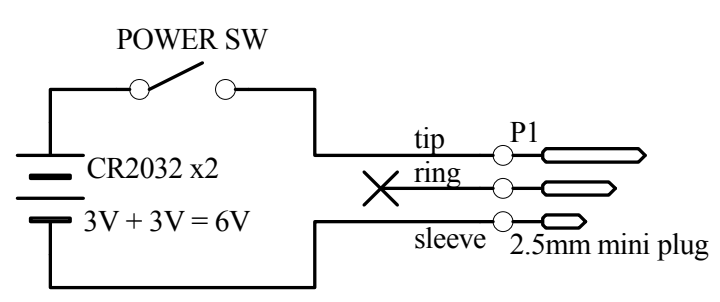


1

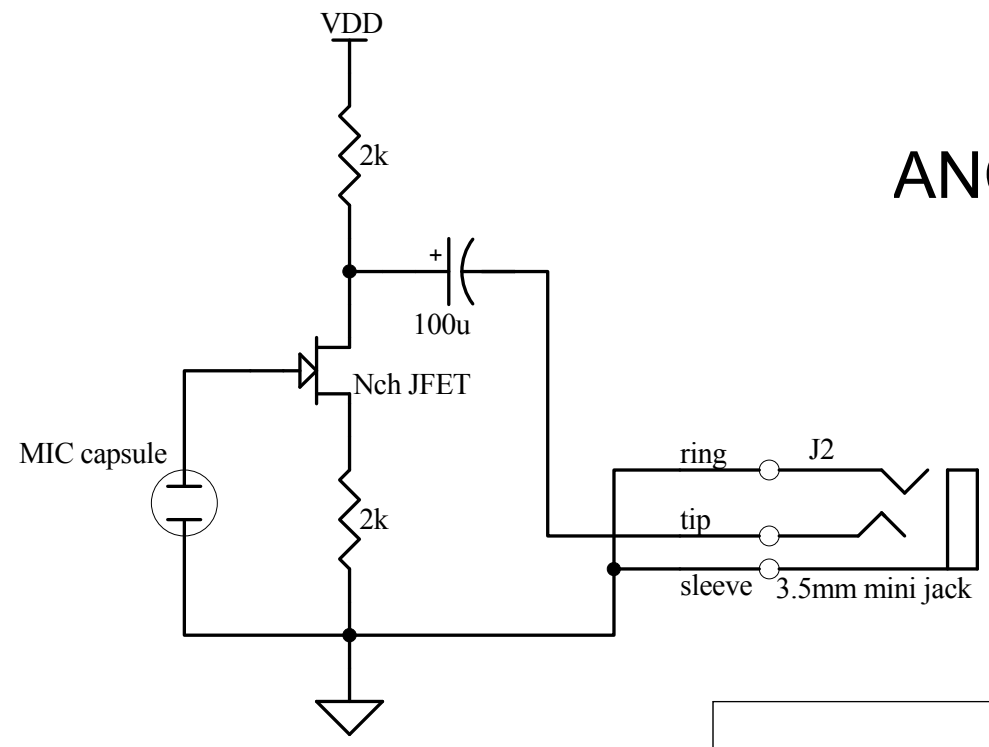
2

3

4



ANCKIT3 experiment duct MIC circuit



unbalance mono output
quasi (fake) balance output

cepstrum.co.jp

1

2

3

4

D

D

C

C

B

B

A

A