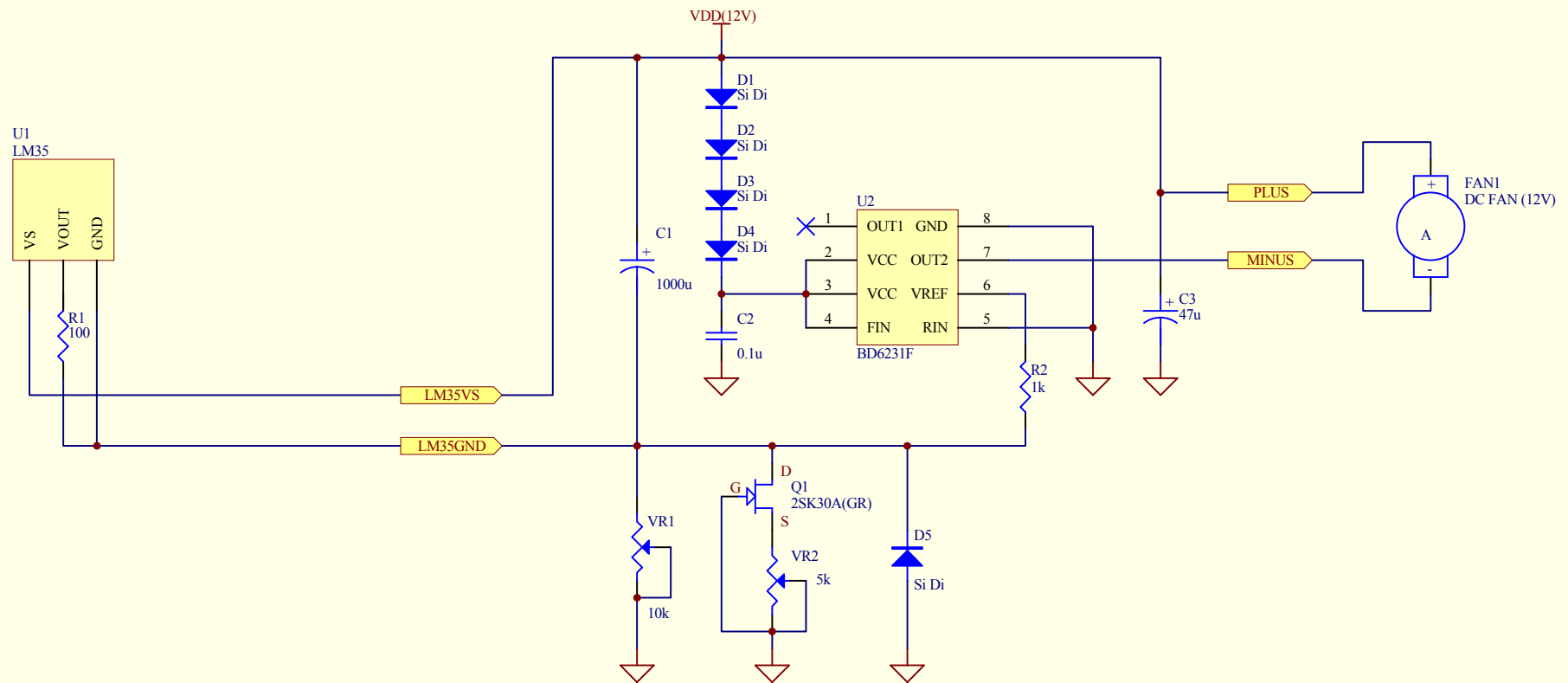


BD6231F PWM fan controller

(duty range : from 20% to 90% @ VDD=12V)



2SK30A (GR) : IDSS=2.6mA-6.5mA

Title		http://www.cepstrum.co.jp/	
Size	Number	Revision	
A4			
Date:	20-Oct-2011	Sheet	of
File:	Z:\host D\bd6231f_fancon1.sch	Drawn By:	